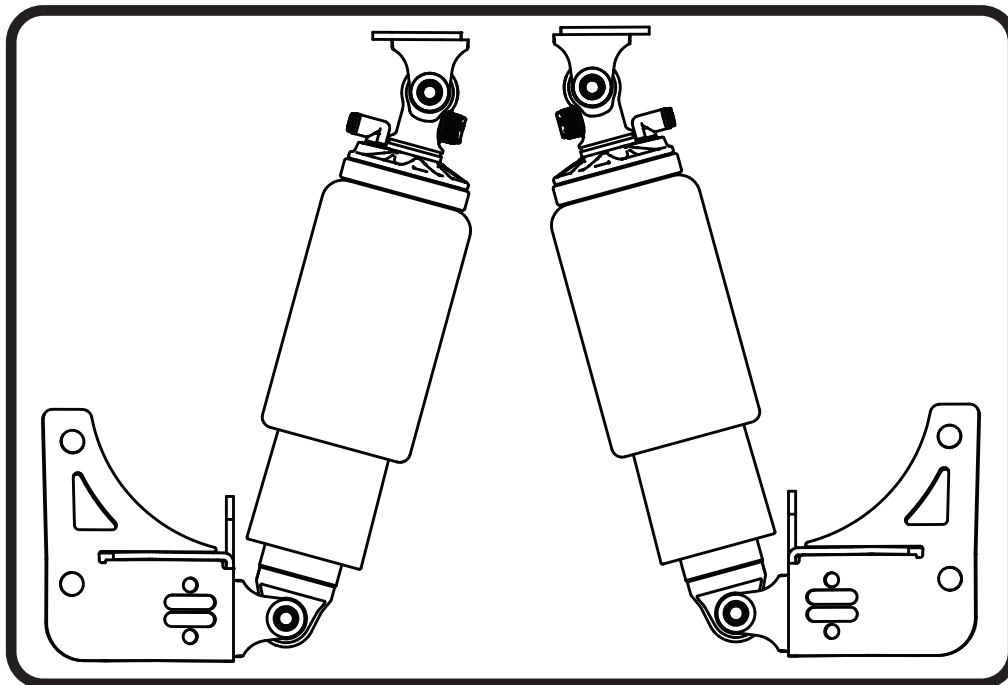
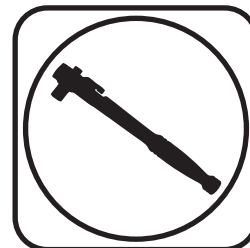
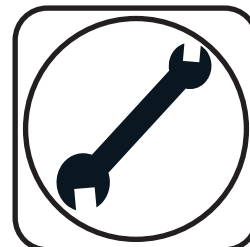




**Part # 11225401 - 1964-1972 GM A-Body Rear Shockwave**



Recommended Tools



## 64-72 A-Body HQ Series Rear Shockwave Installation Instructions

### Table of contents

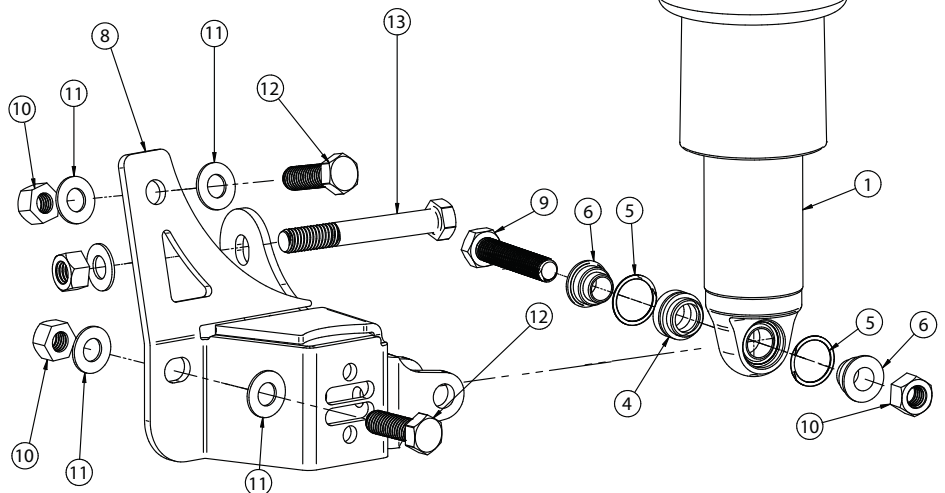
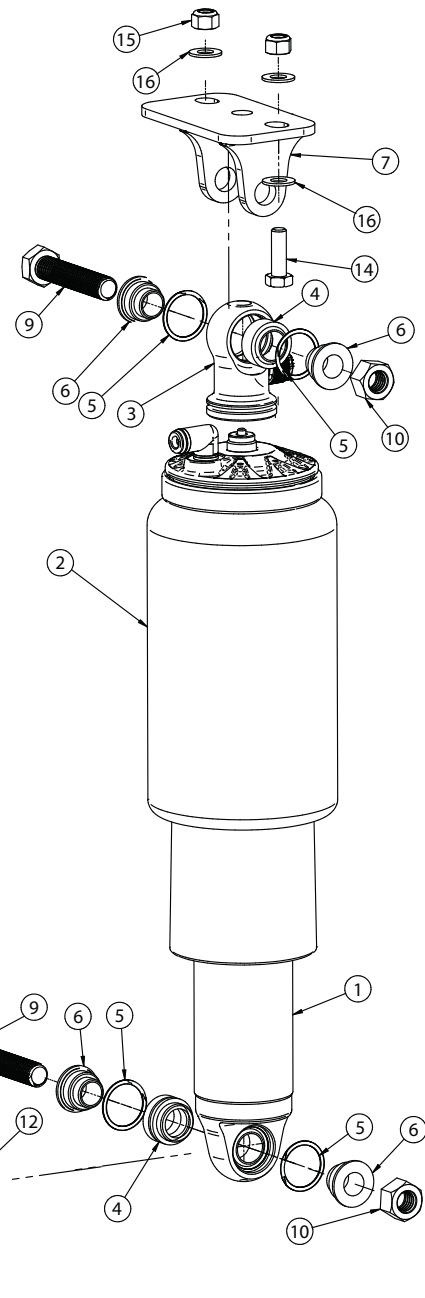
- Page 2..... Included components
- Page 3..... Hardware List and Getting Started
- Page 4..... ShockWave installation
- Page 5..... ShockWave Installation and Notes and Care
- Page 6..... Care of your Shockwaves
- Page 7..... Shock Adjustment





### Major Components .....In the box

| Item # | Part #         | Description                                       | QTY |
|--------|----------------|---|-----|
| 1      | 982-10-805     | 5.2" Stroke HQ Series Shock                       | 2   |
| 2      | 24090799       | 7000 Series 4" Diameter Air Spring                | 2   |
| 3      | 815-05-022-KIT | 1.7" Shock Eyelet                                 | 2   |
| 4      | 90001994       | 5/8" ID Bearing (installed in shock and eyelet)   | 4   |
| 5      | 90001995       | Bearing Snap Ring (installed in shock and eyelet) | 8   |
| 6      | 90002043       | 1/2" ID Upper Bearing Spacers                     | 8   |
| 7      | 90002327       | Upper Mount                                       | 2   |
| 8      | 90002224       | Driver Lower Mount                                | 1   |
| 8      | 90002223       | Passenger Lower Mount (not shown)                 | 1   |
|        | 234-00-153     | Air Spring Locking Ring (not shown)               | 2   |
|        | 99055000       | Air Spring Locking Ring Set Screw (not shown)     | 2   |



**WARNING: ATTEMPTING TO REMOVE THE AIR FITTING WILL DAMAGE IT AND VOID THE WARRANTY.**



### Hardware List ....In the box

| Item # | QTY | Part Number | Description                 | Location                            |
|--------|-----|-------------|-----------------------------|-------------------------------------|
| 9      | 4   | 99501050    | 1/2" -13 x 2 1/2" Hex Bolt  | ShockWave to Mounts                 |
| 10     | 10  | 99502009    | 1/2" -13 Nylok Nut          | ShockWave to Mounts, Lower Bar Bolt |
| 11     | 14  | 99503014    | 1/2" SAE Flat Washer        | ShockWave to Mounts, Lower Bar Bolt |
| 12     | 4   | 99501053    | 1/2" -13 x 1 1/2" Hex Bolt  | Lower Mounts to Differential        |
| 13     | 2   | 99501065    | 1/2" -13 x 3 3/4" Hex Bolt  | Lower Bar Bolt                      |
| 14     | 4   | 99311011    | 5/16" -18 x 1 1/4" Hex Bolt | Upper Mounts to Frame               |
| 15     | 4   | 99312002    | 5/16" -18 Nylok Nut         | Upper Mounts to Frame               |
| 16     | 8   | 99313001    | 5/16" SAE Flat Washer       | Upper Mounts to Frame               |

### Getting Started.....

Congratulations on your purchase of the Ridetech Rear Shockwave System. This system has been designed to give your car excellent handling along with a lifetime of enjoyment. One of the key features of this system is the adjustability. With the ShockWave system you have an adjustable shock along with the height adjustment of the air spring.

### Disassembly

1. Raise and safely support the vehicle by the frame rails.
2. Using a jack, slightly raise the axle approximately 1". Remove the shock absorbers.
3. Lower the axle down enough to remove the coil springs.
4. The exhaust tail pipes may need to be removed and/or modified for ShockWave installation.

**NOTE:** Keep in mind the spring has pressure on it until you let the rear differential down to remove the springs.



### ShockWave Installation



5. Remove the lower trailing arm mounting bolt. (Do one side at a time to keep the axle from rotating). Install the longer  $\frac{1}{2}$ " x  $3\frac{3}{4}$ " bolt through the lower trailing arm from the outside in. Install the lower bracket over the bolt and secure with a  $\frac{1}{2}$ " Nylok nut and flat washer. Snug the Hardware, but do NOT fully tighten at this time.



6. The lower bolt hole in the back of the bracket will align with the factory shock stud hole. Use a  $\frac{1}{2}$ " x  $1\frac{1}{2}$ " bolt, Nylok nut and flat washers. The upper hole must be drilled with a  $\frac{1}{2}$ " bit. The edge of the bracket should be parallel to the axle bracket. Use an centering punch and  $\frac{1}{8}$ " bit to drill a pilot hole. A  $\frac{1}{2}$ " x  $1\frac{1}{2}$ " bolt, Nylok nut and flat washers will be used here as well. Torque all hardware to 75 ftlbs.



7. Fasten the new upper shock bracket into the factory shock location using the  $\frac{5}{16}$ " x 1" bolts, flat washers and Nylok nuts supplied. Torque to 17 ftlbs.

**Note:** Position the bracket to offset the shock toward the center of the car.



### ShockWave Installation



8. Fasten the ShockWave to the upper bracket using a 1/2" x 2 1/2" bolt and Nylok nut. 1/2" I.D. aluminum spacers must be installed on each side of the bearing. Torque to 75 ftlbs.

**Note:** The air fitting location can be rotated by twisting the bellow separate of the shock.



9. Fasten the ShockWave to the lower bracket using a 1/2" x 2 1/2" bolt and Nylok nut. 1/2" I.D. aluminum spacers must be installed on each side of the bearing. Torque to 75 ftlbs.

10. Double check air spring clearances throughout full suspension travel.

11. Ride height on this ShockWave is 14.5" from center eye to center eye. This should occur around 70-80psi, but may vary to vehicle weight and driver preference

### Notes and Care of your Shockwaves

#### NOTES:

**WARNING: ATTEMPTING TO REMOVE THE AIR FITTING WILL DAMAGE IT AND VOID THE WARRANTY.**

You can clock the airfitting location on the ShockWave by turning the AirSpring assembly of the shock. Make sure the fitting doesn't contact the frame.

When cutting the airline, use a razor blade. The cut needs to be a clean cut and square for the airline to seal properly.

**The Locking ring on the shock is NOT adjustable. These rings are set at the factory to optimize the AirSpring stroke with the shock stroke.**



### Care of your ShockWaves

## The care and feeding of your new ShockWaves

1. Although the ShockWave has an internal bumpstop, **DO NOT DRIVE THE VEHICLE DEFLATED RESTING ON THIS BUMPSTOP. DAMAGE WILL RESULT.** The internal bumpstop will be damaged, the shock bushings will be damaged, and the vehicle shock mounting points may be damaged to the point of failure. This is a non warrantable situation.
2. Do not drive the vehicle overinflated or “topped out”. Over a period of time the shock valving will be damaged, possibly to the point of failure. This is a non warrantable situation! If you need to raise your vehicle higher that the ShockWave allows, you will need a longer unit.
3. The ShockWave is designed to give a great ride quality and to raise and lower the vehicle. **IT IS NOT MADE TO HOP OR JUMP!** If you want to hop or jump, hydraulics are a better choice. This abuse will result in bent piston rods, broken shock mounts, and destroyed bushings. This is a non warrantable situation.
4. Do not let the ShockWave bellows rub on anything. Failure will result. This is a non warrantable situation.
5. The ShockWave product has been field tested on numerous vehicles as well as subjected to many different stress tests to ensure that there are no leakage or durability problems. Failures have been nearly nonexistent unless abused as described above. If the Shockwave units are installed properly and are not abused, they will last many, many years. ShockWave units that are returned with broken mounts, bent piston rods, destroyed bumpstops or bushings, or abrasions on the bellows will not be warrantied.



### Shock Adjustment

#### Shock Adjustment 101- Single Adjustable

##### Rebound Adjustment:

How to adjust your new shocks.

The rebound adjustment knob is located on the top of the shock absorber protruding from the eyelet.

You must first begin at the ZERO setting, then set the shock to a medium setting of 12.



-Begin with the shocks adjusted to the ZERO rebound position (full stiff). Do this by rotating the rebound adjuster knob clockwise until it stops.

-Now turn the rebound adjuster knob counter clock wise 12 clicks. This sets the shock at 12. (settings 21-24 are typically too soft for street use).

##### Take the vehicle for a test drive.



-if you are satisfied with the ride quality, do not do anything, you are set!

-if the ride quality is too soft increase the damping effect by rotating the rebound knob clock wise 3 clicks.

##### Take the vehicle for another test drive.



-if the vehicle is too soft increase the damping effect by rotating the rebound knob clock wise 3 additional clicks.

-If the vehicle is too stiff rotate the rebound adjustment knob counter clock wise 2 clicks and you are set!

Take the vehicle for another test drive and repeat the above steps until the ride quality is satisfactory.

##### Note:

**One end of the vehicle will likely reach the desired setting before the other end. If this happens stop adjusting the satisfied end and keep adjusting the unsatisfied end until the overall ride quality is satisfactory.**